

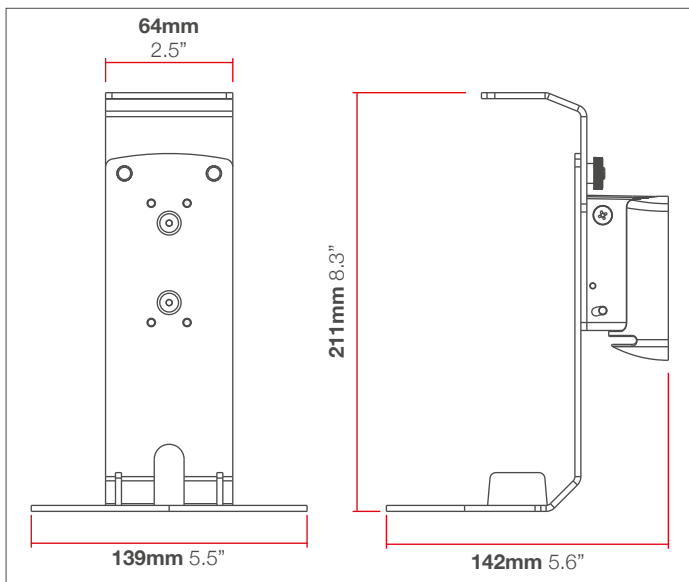
HS500-WM

Wall Mount for Bose® Home Speaker 500



Flexible and functional wall mount to perfectly position the speaker. Includes tilt and swivel adjustment to perfectly angle the sound.

- Bespoke design securely holds the Home Speaker 500
- Angle your sound with tilt (15°) and swivel (45° left, 45° right)
- Quick and easy to install and adjust
- Can be inverted to securely hold the speaker upside down - so it's controls are easily accessible
- Constructed from steel and ABS
- Available in black or silver to match the speaker
- Designed and manufactured in the UK



	Silver:	Black:
Product Code	SDXBHS5WM1091	SDXBHS5WM1021
UPC Number	5057964001142	5057964001135

Millimetres / Kilograms	Height	Width	Depth	Weight
Product Size	211	139	142	0.78
Millimetres / Kilograms	Length	Width	Height	Weight
Retail Carton	235	155	145	0.87
Carton Contents	1 x wall mount and instructions			
Outer Carton Quantity	4	Country of Manufacture	UK	

AV SUPPLY GROUP

New Zealand: +64 (9) 274 9172 info@avsupply.co.nz
Australia: +61 (3) 9071 4585 info@avsupplygroup.com.au