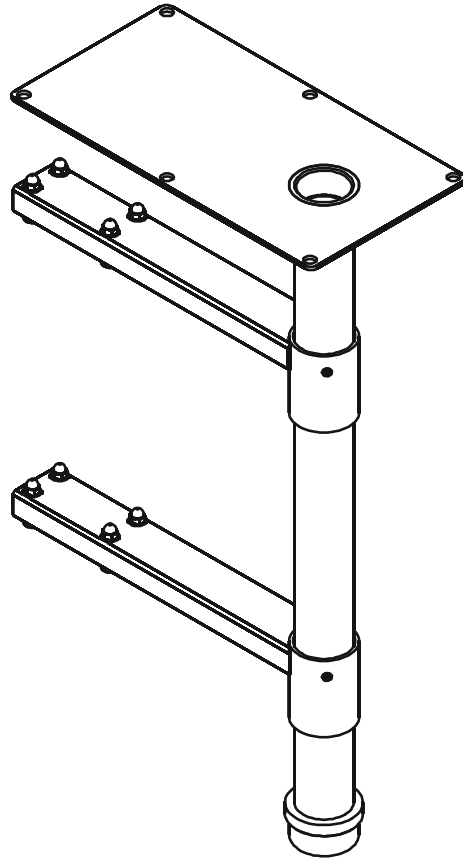

INSTALLATION INSTRUCTIONS



Multiple Projector Stacking System - Ceiling Mount

DISCLAIMER

Milestone AV Technologies, and its affiliated corporations and subsidiaries (collectively, "Milestone"), intend to make this manual accurate and complete. However, Milestone makes no claim that the information contained herein covers all details, conditions or variations, nor does it provide for every possible contingency in connection with the installation or use of this product. The information contained in this document is subject to change without notice or obligation of any kind. Milestone makes no representation of warranty, expressed or implied, regarding the information contained herein. Milestone assumes no responsibility for accuracy, completeness or sufficiency of the information contained in this document.

Chief® is a registered trademark of Milestone AV Technologies. All rights reserved.

IMPORTANT WARNINGS AND CAUTIONS!

WARNING: A WARNING alerts you to the possibility of serious injury or death if you do not follow the instructions.

CAUTION: A CAUTION alerts you to the possibility of damage or destruction of equipment if you do not follow the corresponding instructions.

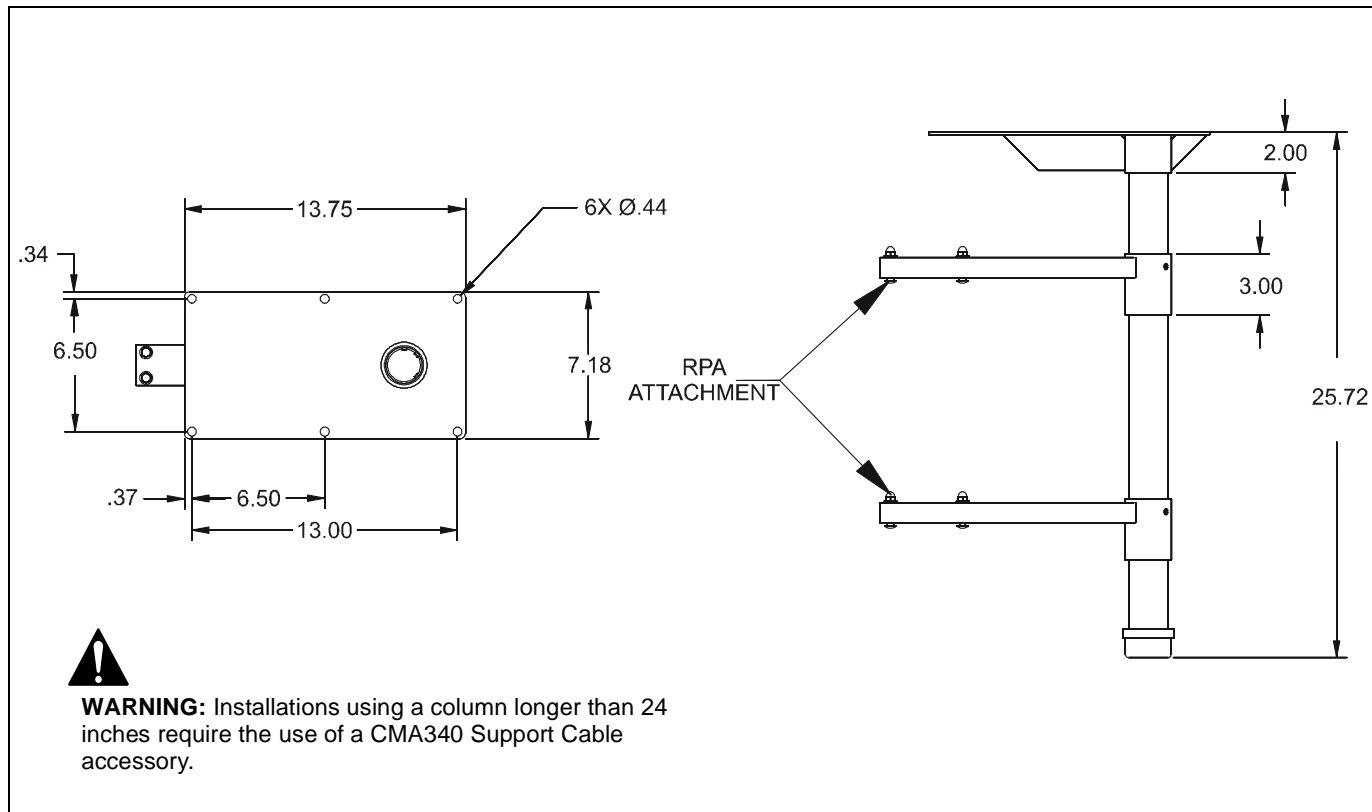
WARNING: Failure to read, thoroughly understand, and follow all instructions can result in serious personal injury, damage to equipment, or voiding of factory warranty! It is the installer's responsibility to make sure all components are properly assembled and installed using the instructions provided.

WARNING: Failure to provide adequate structural strength for this component can result in serious personal injury or damage to equipment! It is the installer's responsibility to make sure the structure to which this component is attached can support five times the combined weight of all equipment. Reinforce the structure as required before installing the component.

WARNING: Installations using a column longer than 24 inches require the use of a CMA340 Support Cable accessory.

WARNING: Exceeding the weight capacity can result in serious personal injury or damage to equipment! It is the installer's responsibility to make sure the combined weight of all components including the display/projector does not exceed 100 lbs (45.4 kg).

DIMENSIONS



LEGEND

	Tighten Fastener
	Apretar elemento de fijación
	Befestigungsteil festziehen
	Apertar fixador
	Serrare il fissaggio
	Bevestiging vastdraaien
	Serrez les fixations

	Loosen Fastener
	Aflojar elemento de fijación
	Befestigungsteil lösen
	Desapertar fixador
	Allentare il fissaggio
	Bevestiging losdraaien
	Desserrez les fixations

	Phillips Screwdriver
	Destornillador Phillips
	Kreuzschlitzschraubendreher
	Chave de fendas Phillips
	Cacciavite a stella
	Kruiskopschroevendraaier
	Tournevis à pointe cruciforme

	Open-Ended Wrench
	Llave de boca
	Gabelschlüssel
	Chave de bocas
	Chiave a punte aperte
	Steeksleutel
	Clé à fourche

	By Hand
	A mano
	Von Hand
	Com a mão
	A mano
	Met de hand
	À la main

	Hex-Head Wrench
	Llave de cabeza hexagonal
	Sechskantschlüssel
	Chave de cabeça sextavada
	Chiave esagonale
	Zeskantsleutel
	Clé à tête hexagonale

	Pencil Mark
	Marcar con lápiz
	Stiftmarkierung
	Marcar com lápis
	Segno a matita
	Potloodmerkten
	Marquage au crayon

	Drill Hole
	Perforar
	Bohrloch
	Fazer furo
	Praticare un foro
	Gat boren
	Percez un trou

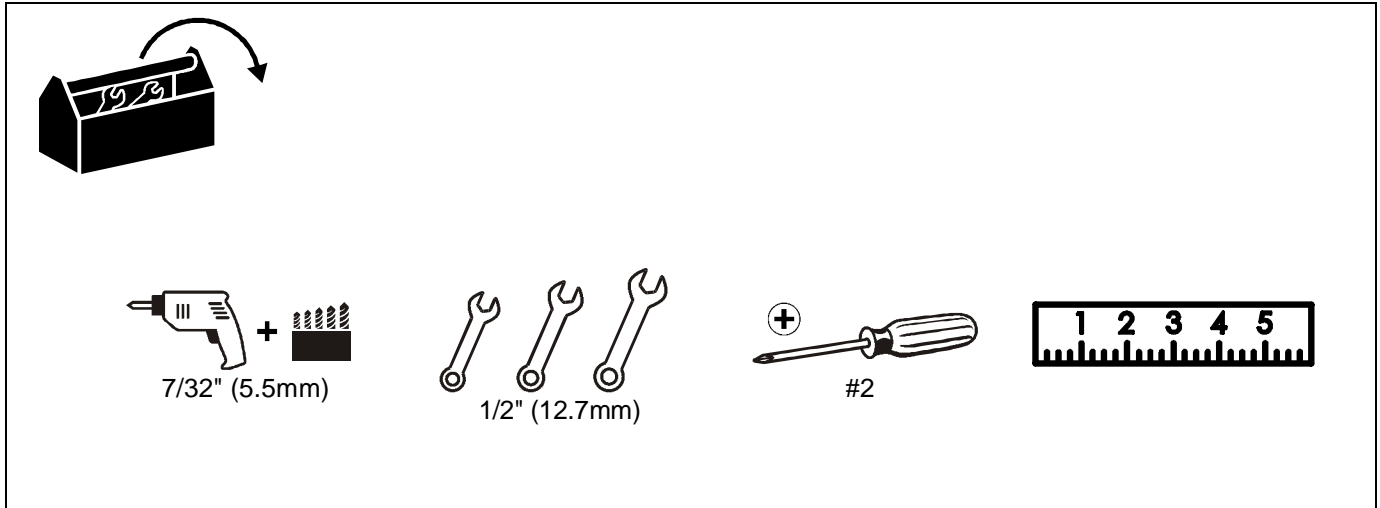
	Adjust
	Ajustar
	Einstellen
	Ajustar
	Regolare
	Afstellen
	Ajuster

	Remove
	Quitar
	Entfernen
	Remover
	Rimuovere
	Verwijderen
	Retirez

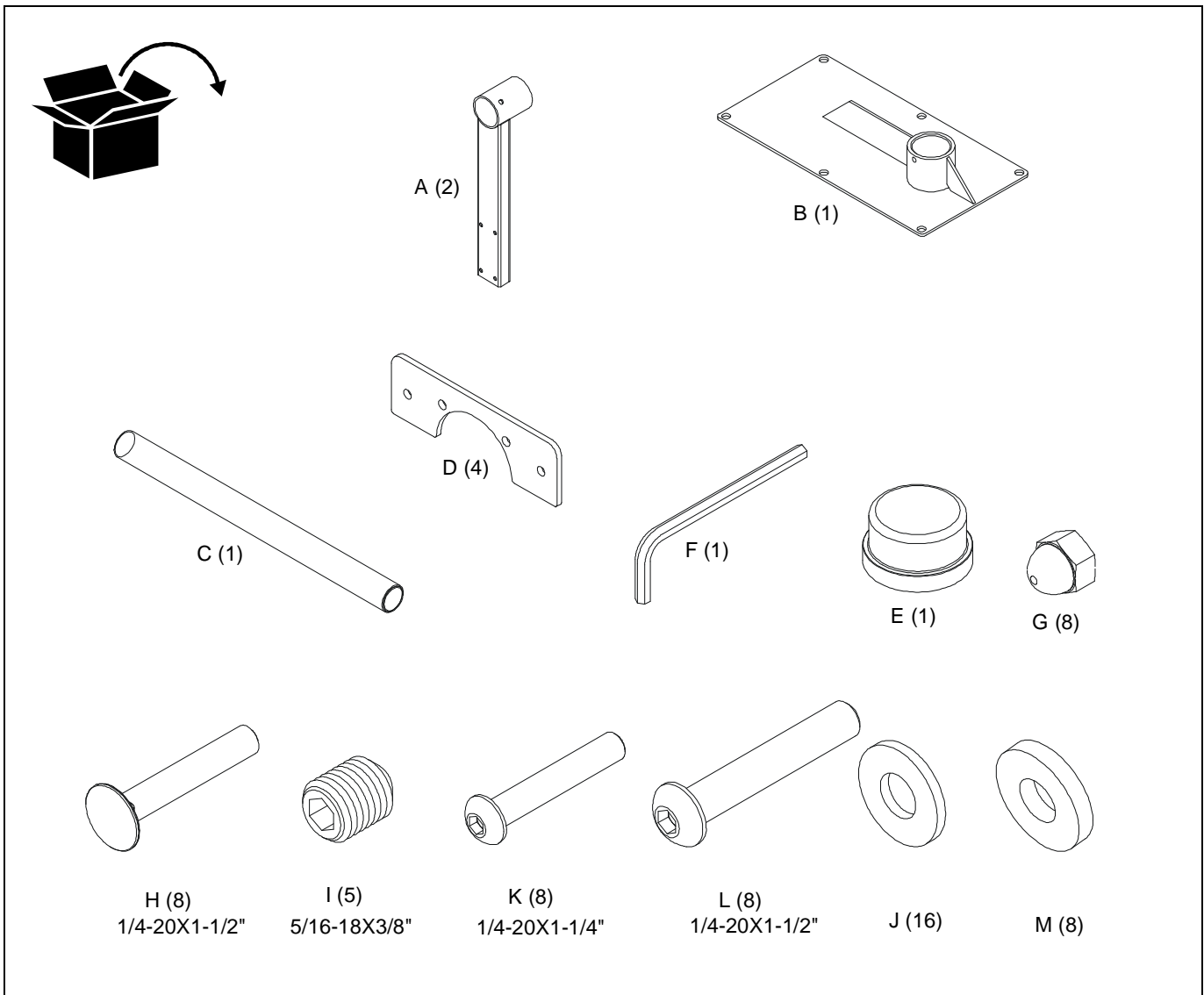
	Optional
	Opcional
	Optional
	Opcional
	Opzionale
	Optie
	En option

	Security Wrench
	Llave de seguridad
	Sicherheitsschlüssel
	Chave de segurança
	Chiave di sicurezza
	Veiligheidssleutel
	Clé de sécurité

TOOLS REQUIRED FOR INSTALLATION



PARTS



Assembly And Installation

For RPA Models Only



WARNING: Failure to provide adequate structural strength for this component can result in serious personal injury or damage to equipment! It is the installer's responsibility to make sure the structure to which this component is attached can support five times the combined weight of all equipment. Reinforce the structure as required before installing the component.

1. Mark the six mounting hole locations through the ceiling plate. (See Figure 1)
2. Drill six 7/32" holes.
3. Use six fasteners (not provided) to mount the ceiling plate to the appropriate structural ceiling. The 1-1/2" NPT pipe must be pointing down. (See Figure 1)

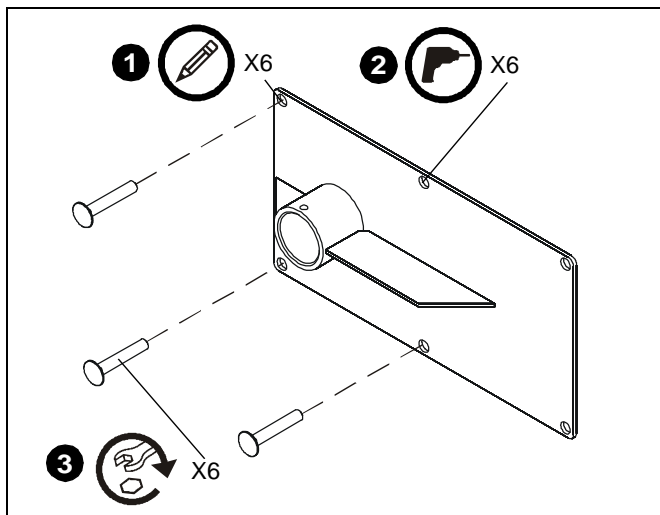


Figure 1

4. Thread the 1-1/2" NPT pipe (C) into the ceiling plate and tighten securely.



WARNING: Installations using a column longer than 24 inches require the use of a CMA340 Support Cable accessory.

5. Secure NPT pipe to ceiling plate using one 5/16-18x3/8" set screw (I).
6. Attach RPA to projector arm (A) using four 1/4-20 X 1-1/2" carriage bolts (H), four 1/4-20 acorn nuts (G) and 1/4" flat washers (J). (See Figure 2)

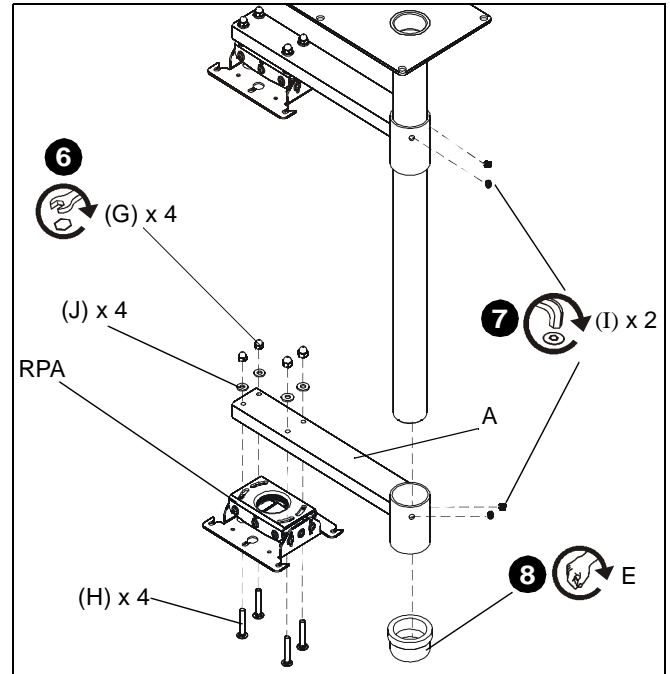


Figure 2

7. Slide both projector arms (A) onto the 1-1/2" vertical pipe section and secure using two 5/16-18 x 3/8" set screws (I) on each arm.
8. Thread 1-1/2" safety nut (E) onto threaded end of the 1-1/2" pipe section.
9. Mount projector hanging bracket to your projector (see RPA instructions).
10. Partially thread 10-24 thumbscrews onto 10-24 studs at top of hanger bracket plate. The quantity of thumbscrews may vary from three to six.
11. Align studs with key slots of RPA, slide RPA into place, and secure RPA by tightening thumbscrews.
12. Adjust projector for correct registration.

For RPM Models Only

1. Proceed with Steps 1-5 under **For RPA Models Only**.
2. Place RPM on its top so that four screw holes are visible through the square in the RPM base. (See Figure 3)
3. Insert four 1/4"-20x1-1/2" (L) button head cap screws into the bottom of the RPM. (See Figure 3)

NOTE: The RPM base is not shown in Figure 3 for clarity only. It should NOT be removed for this installation process.

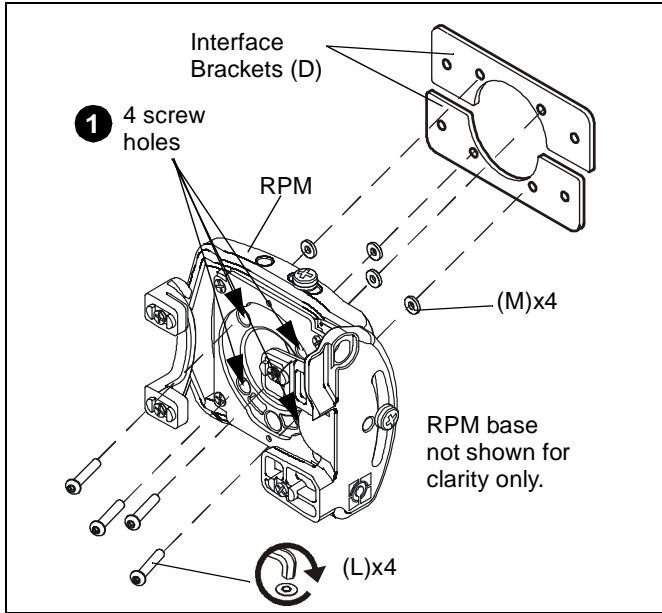


Figure 3

4. Place four nylon spacers (M) onto the screws as shown in Figure 3.
5. Tighten the screws through the nylon spacers and into the two interface brackets (D). (See Figure 3)
6. Insert four 1/4"-20x1-1/4" (K) button head cap screws from the top of the projector arm. (See Figure 4)

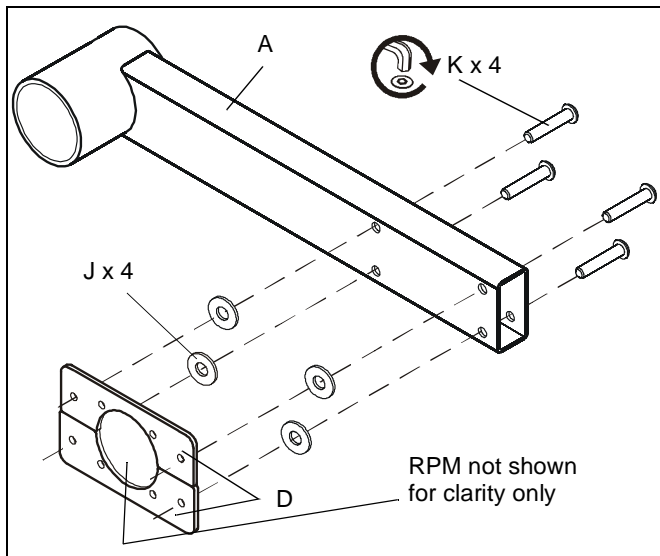


Figure 4

7. Place a 1/4" flat washer (J) onto each screw.
8. Hold the RPM (with interface brackets attached) to the bottom of the projector arm and tighten the screws through the washers and into the interface brackets.
9. Proceed with Steps 7 - 12 from **For RPA Models Only** section.



Our Mounts. **Your Vision.**

Chief Manufacturing, a products division
of Milestone AV Technologies

8804-000052 RevC
©2009 Milestone AV Technologies,
a Duchossois Group Company
www.chiefmfg.com
04/09

USA/International A 8401 Eagle Creek Parkway, Savage, MN 55378
P 800.582.6480 / 952.894.6280
F 877.894.6918 / 952.894.6918

Europe A Fellenoord 130 5611 ZB EINDHOVEN, The Netherlands
P +31 (0)40 2668620
F +31 (0)40 2668615

Asia Pacific A Room 24F, Block D, Lily YinDu International Building
LuoGang, BuJi Town, Shenzhen, CHINA.
深圳市布吉罗岗村百合银都国际大厦D栋24F
P +86-755-8996 9226
F +86-755-8996 9217

