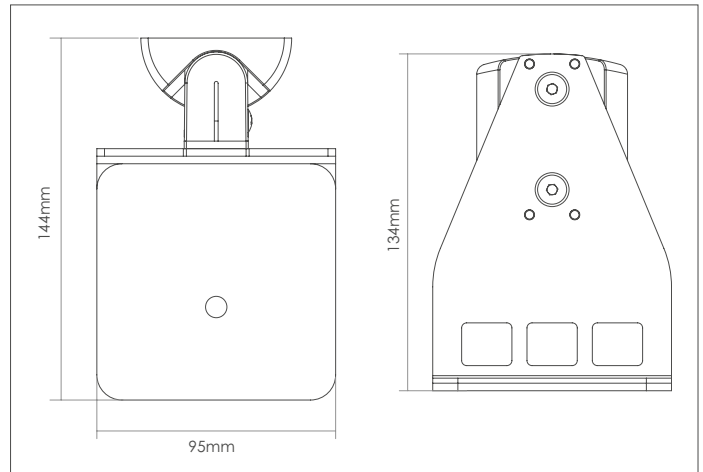


Flexible and functional wall mount to perfectly position the speaker. Includes tilt and swivel adjustment to perfectly angle the sound.

- Bespoke design securely holds the Denon Home 250
- Has a unique tilting mechanism (down 19°) plus can swivel up to 26° (13° left, 13° right), so you can perfectly angle your speaker
- Precision engineered. Quick and easy to fit
- High grade-steel and ABS construction
- Available in black or white to match the Denon Home 250
- Designed and manufactured in the UK



	White:	Black:
Product Code	SDXDH250WM1011	SDXDH250WM1021
UPC Number	5057964001975	5057964001982

Millimetres / Kilograms	Height	Width	Depth	Weight
Product Size	134	95	144	0.5
Millimetres / Kilograms	Length	Width	Height	Weight
Retail Carton	175	144	105	0.65
Carton Contents	1 x Wall Mount and Instructions			
Outer Carton Quantity	4	Country of Manufacture	UK	

AV SUPPLY GROUP

New Zealand: +64 (9) 274 9172 info@avsupply.co.nz
Australia: +61 (3) 9071 4585 info@avsupplygroup.com.au