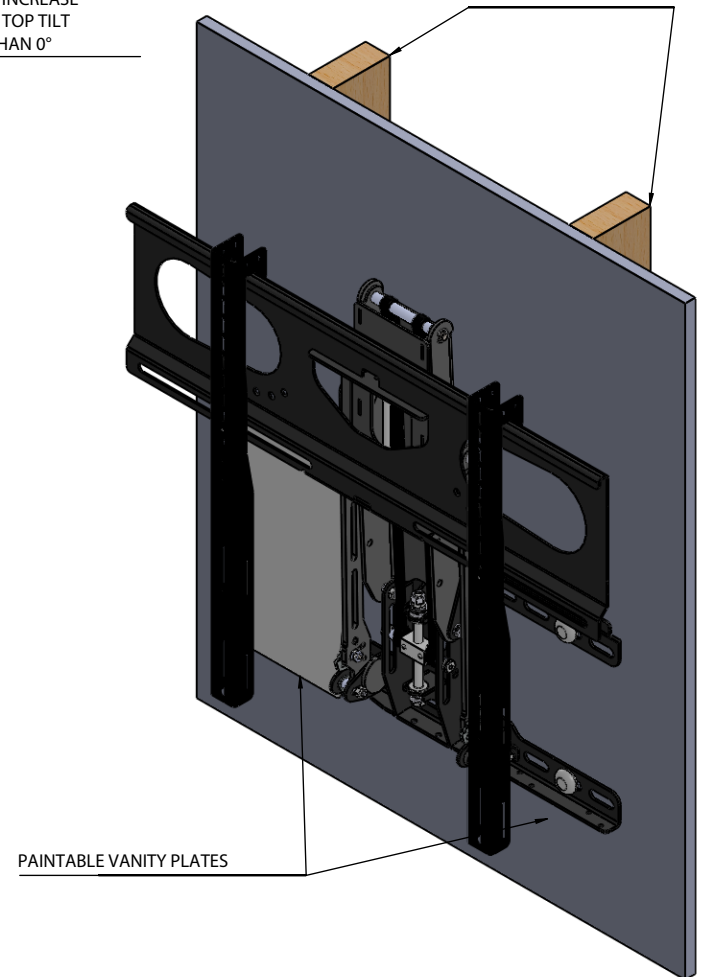
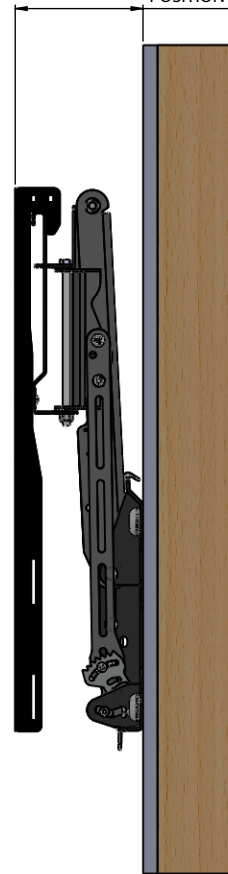
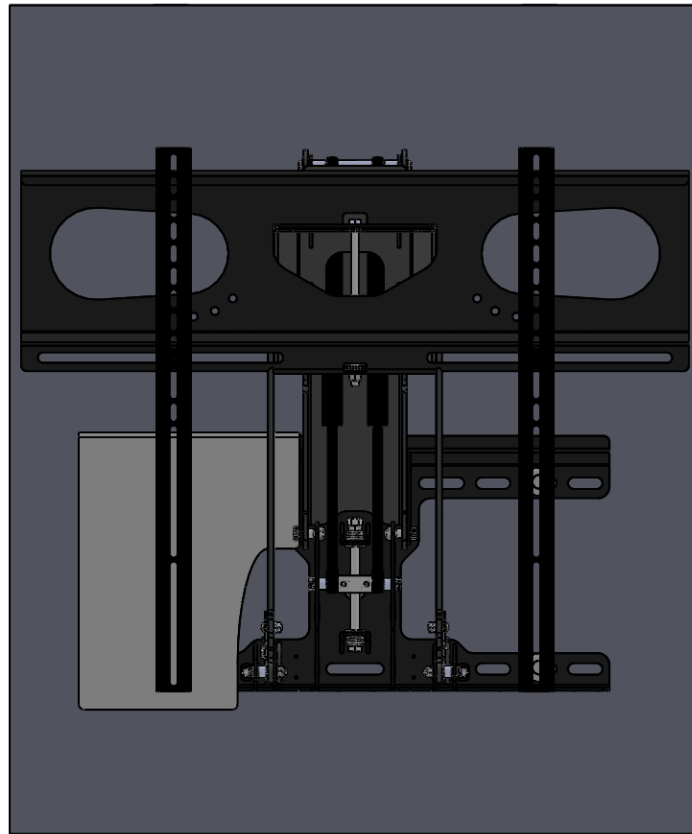


TRANSCEND SURFACE MOUNT DIAGRAM

THREE DIFFERENT PIVOT POSITIONS:
 4.85" OUT SWIVEL POSITION
 4.15" LEFT SWIVEL POSITION
 4.15" RIGHT SWIVEL POSITION

THESE DIMENSIONS INCREASE
 WHEN YOU SET THE TOP TILT
 POSITION HIGHER THAN 0°

16" CENTER WOOD STUDS



PAINTABLE VANITY PLATES

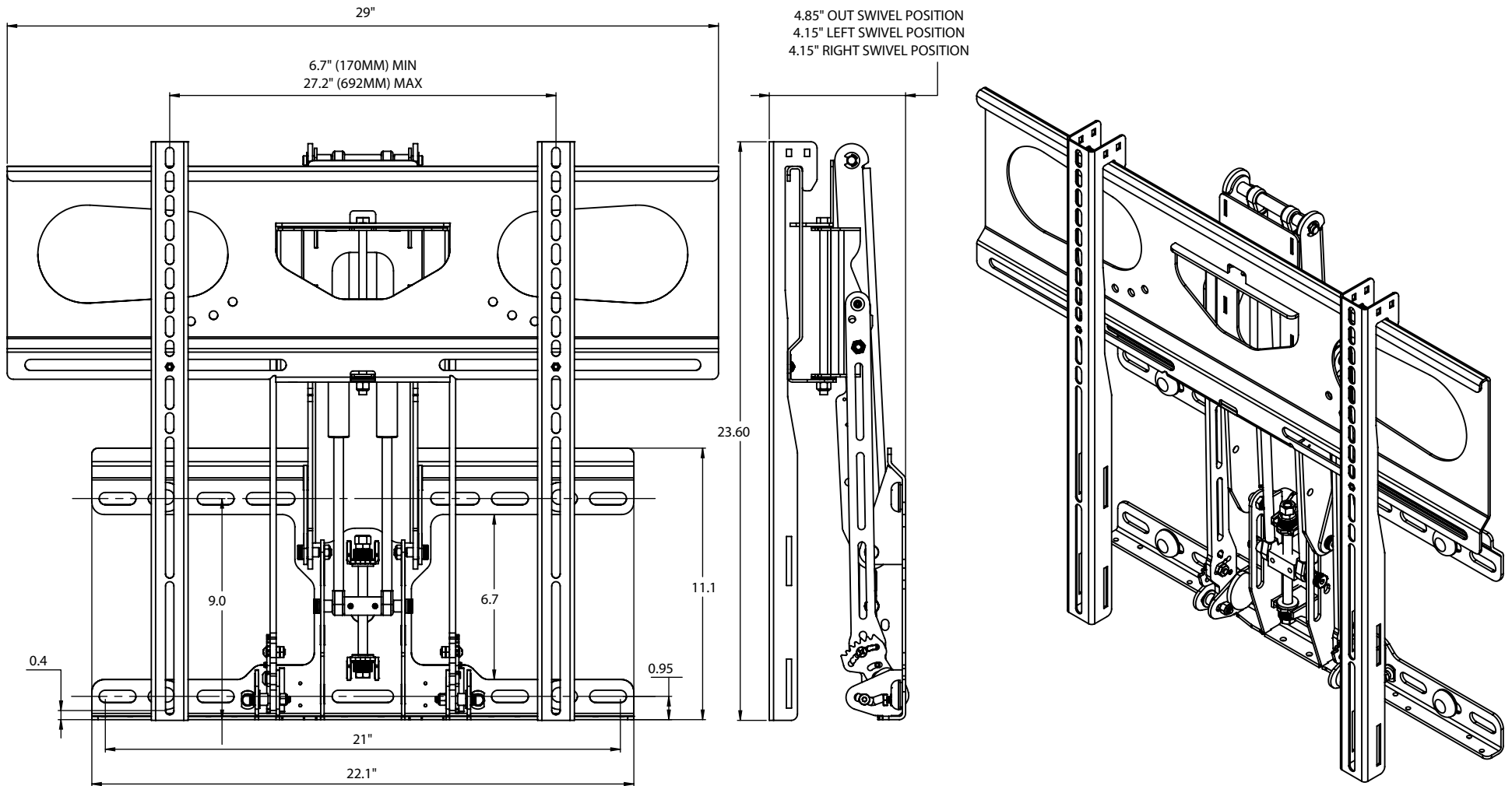
NOTES:

1. FOR THIS MOUNT, THE TOTAL WEIGHT CAPACITY IS 125 LBS
2. FOR THIS MOUNT, THE LENGTH OF ITS DOWNWARD TRAVEL IS 31.8"
3. MECHANISM DIMENSIONS ON PAGE 2
4. MINIMUM TV HEIGHT TO COVER ENTIRE MECHANISM: 24 1/2"
5. FOR THIS MOUNT, THE MOUNTING LOCATIONS ARE DESIGNED FOR UP TO 21" CENTER WOOD STUDS
6. EXTRA WALL SUPPORT ACCESSORY AVAILABLE FOR OUT OF THE ORDINARY WALL STRUCTURES
7. THIS MOUNT CAN BE MOUNTED TO BRICK OR STONE, HOWEVER THE HARDWARE NECESSARY IS NOT PROVIDED
8. WHEN DETERMINING TV HEIGHT, ALWAYS USE MANUFACTURER SUPPLIED "TV WITHOUT STAND" HEIGHT
9. MOUNT MECHANISM IS POWDERCOATED BLACK STEEL, COLORS IN DIAGRAM ARE FOR CLARITY ONLY

nexus²¹
 CONCEALMENT SYSTEMS

COPYRIGHT 2016 - ALL RIGHTS RESERVED
 UPDATED 02/22/18

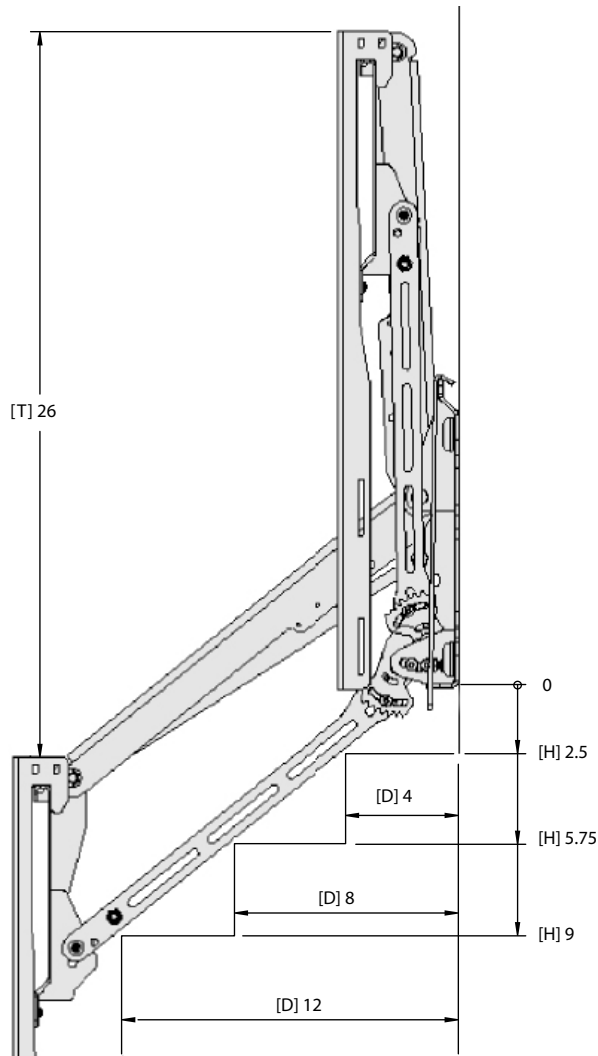
TRANSCEND SURFACE MOUNT DIAGRAM



nexus²¹
CONCEALMENT SYSTEMS

COPYRIGHT 2016 - ALL RIGHTS RESERVED
UPDATED 02/22/18

TRANSCEND SURFACE MOUNT DIAGRAM



TRANSCEND SURFACE MOUNT CLEARANCE TABLE (CLEARANCE BETWEEN MOUNT AND SHELF)

		SHELF DEPTH [D]																
		0	1	2	3	4	5	6	7	8	9	10	11	12	13	14	15	16
DOWNWARD TRAVEL [T]	32	0	5	12	18	-	-	-	-	-	-	-	-	-	-	-	-	-
	30	0	0	2.25	4	5.75	7.75	9.5	11.25	14.75	15.5	-	-	-	-	-	-	-
	28	0	0	1.25	2.5	3.5	4.75	5.75	7	8.25	9.25	10.5	12.5	13.75	-	-	-	-
	26	0	0	1	1.75	2.5	3.25	4	5	5.75	6.5	7.25	8	9	11	11.75	-	-
	24	0	0	.75	1.25	1.75	2.5	3	3.5	4	4.75	5.25	5.75	6.5	7	7.5	9.5	10
	22	0	0	.25	.75	1.25	1.75	2	2.5	3	3.25	3.75	4	4.5	5	5.25	5.75	7.5
	20	0	0	.25	.5	.75	1	1.25	1.5	1.75	2	2.25	2.75	3	3.25	3.5	3.75	4.5
	18	0	0	0	.25	.5	.5	.75	.75	1	1	1.25	1.25	1.5	1.5	1.75	1.75	2
16	0	0	0	0	0	0	0	0	0	0	0	0	0	0	0	0	0	

CLEARANCE BETWEEN MOUNT AND SHELF (UNBOLDDED) [H]

TV CLEARANCE TABLE (OR SOUNDBAR CLEARANCE TABLE)

		SHELF DEPTH [D]																	
		0	1	2	3	4	5	6	7	8	9	10	11	12	13	14	15	16	17
0	0	1	1.25	1.5	1.75	1.75	2	2.25	2.5	2.75	3	3.25	3.75	4.25	5	5.75	6.75	-	

MINIMUM CLEARANCE NEEDED BETWEEN TOP OF SHELF AND BOTTOM OF TV