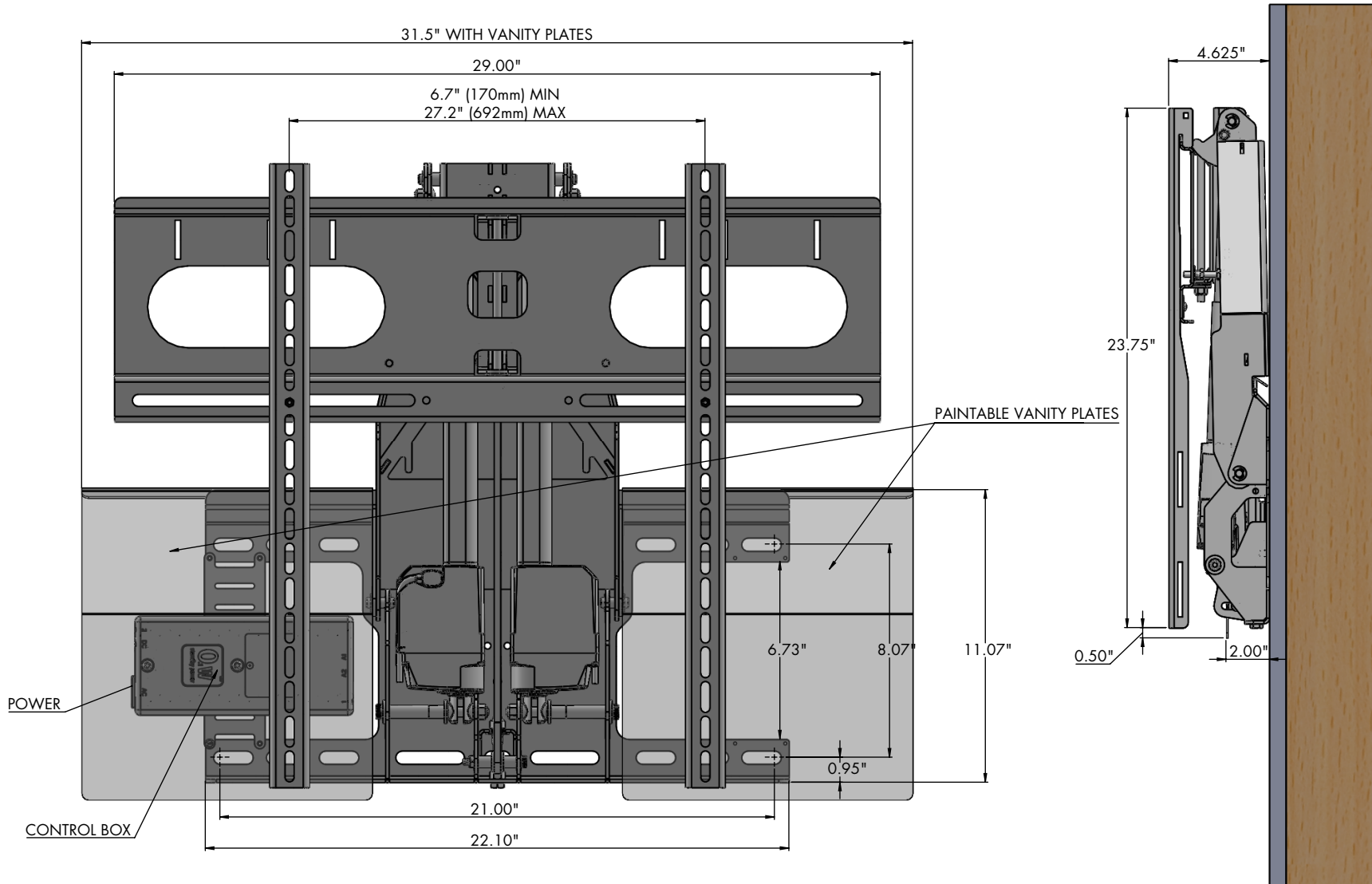


# TRANSCEND PRO SURFACE DIAGRAM



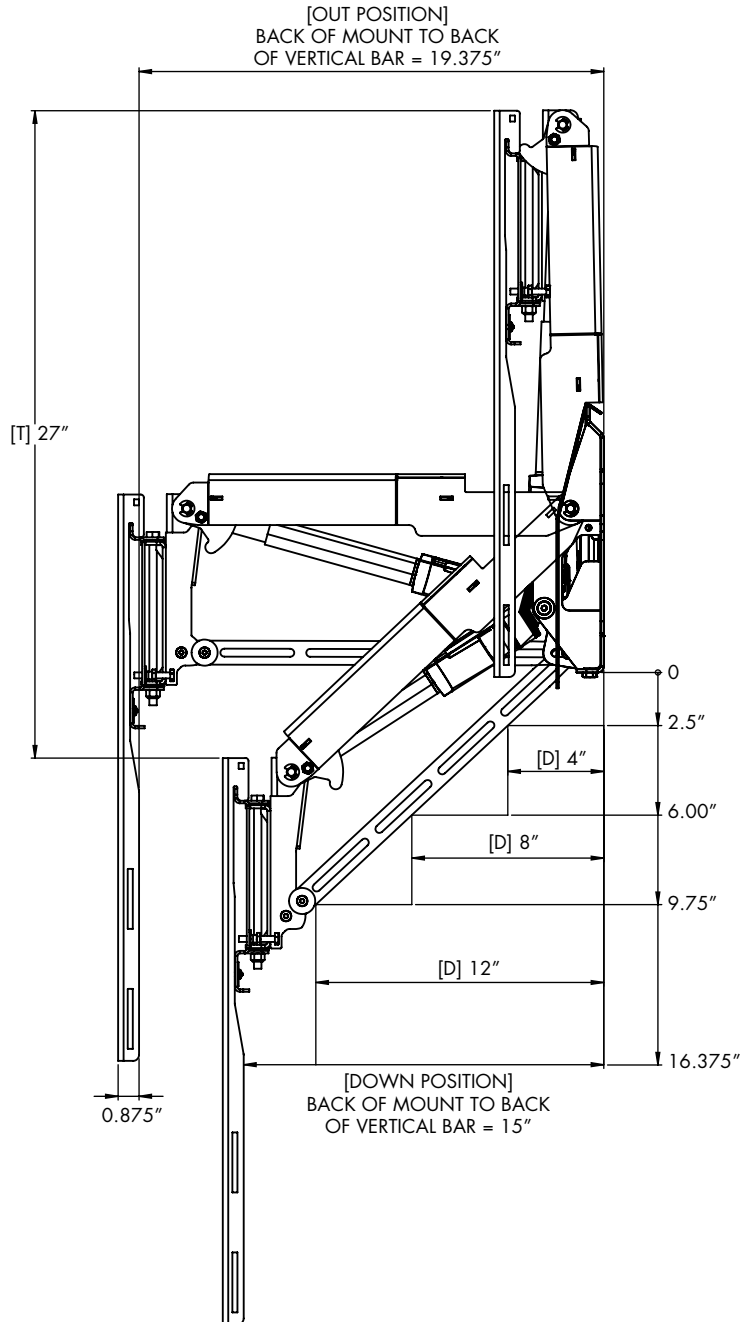
## NOTES:

1. TOTAL WEIGHT CAPACITY IS 125 LBS
2. MAXIMUM LENGTH OF DOWNWARD TRAVEL IS 27"
3. MOUNTING LOCATION TABLE ON PAGE 2
4. CONTROL BOX CAN BE TO THE LEFT OR RIGHT SIDE OF THE MOUNT [SEE INSTRUCTIONS FOR DETAILS]
5. MINIMUM TV HEIGHT TO COVER ENTIRE MECHANISM: 24.25"
6. WHEN DETERMINING TV HEIGHT, ALWAYS USE THE MANUFACTURER SUPPLIED "TV WITHOUT STAND" HEIGHT
7. MOUNTING LOCATIONS ARE DESIGNED FOR UP TO 21" CENTER WOOD STUDS
8. EXTRA WALL SUPPORT ACCESSORY AVAILABLE FOR LARGER STUD SPACING [21" - 32"]
9. CAN BE MOUNTED TO BRICK OR STONE; CONSULT AN EXPERT FOR REQUIRED HARDWARE
10. MECHANISM IS POWDERCOATED BLACK STEEL, COLORS IN DIAGRAM ARE FOR CLAIRTY ONLY

# NEXUS<sub>21</sub>

COPYRIGHT 2017 - ALL RIGHTS RESERVED  
UPDATED 12/08/17

# TRANSCEND PRO SURFACE DIAGRAM



TRANSCEND PRO SURFACE CLEARANCE TABLE (clearance between mount and shelf)													
		[D] SHELF DEPTH (inches)											
DOWNWARD TRAVEL [T]	0	1	2	3	4	5	6	7	8	9	10	11	12
27	0	0	1	2	3	3.75	4.75	5.75	6.5	7.5	8.5	10	11
[H] CLEARANCE BETWEEN MOUNT AND SHELF (UNBOLDED)													
TV CLEARANCE TABLE (or soundbar clearance table, whichever is lower)													
		[D] SHELF DEPTH (inches)											
	0	1	2	3	4	5	6	7	8	9	10	11	12
	0	1	1.25	1.5	1.75	1.75	2	2.25	2.5	2.75	3	3.25	3.75
MINIMUM CLEARANCE NEEDED BETWEEN TOP OF SHELF AND BOTTOM OF TV													

## HOW TO USE THIS TABLE:

1. MEASURE YOUR SHELF DEPTH [D]
2. USING SHELF [D], DETERMINE THE [H] CLEARANCE BETWEEN THE MOUNT AND SHELF NEEDED. THE MOUNT MUST ALWAYS BE ABLE TO RUN ITS FULL TRAVEL WITH NO OBSTRUCTIONS.
3. USING [D] LOCATE THE CELL IN (TABLE 2). THIS IS THE MINIMUM CLEARANCE NEEDED BETWEEN THE BOTTOM OF THE TV OR SOUNDBAR AND THE SHELF

# NEXUS<sub>21</sub>

COPYRIGHT 2017 - ALL RIGHTS RESERVED  
UPDATED 12/08/17