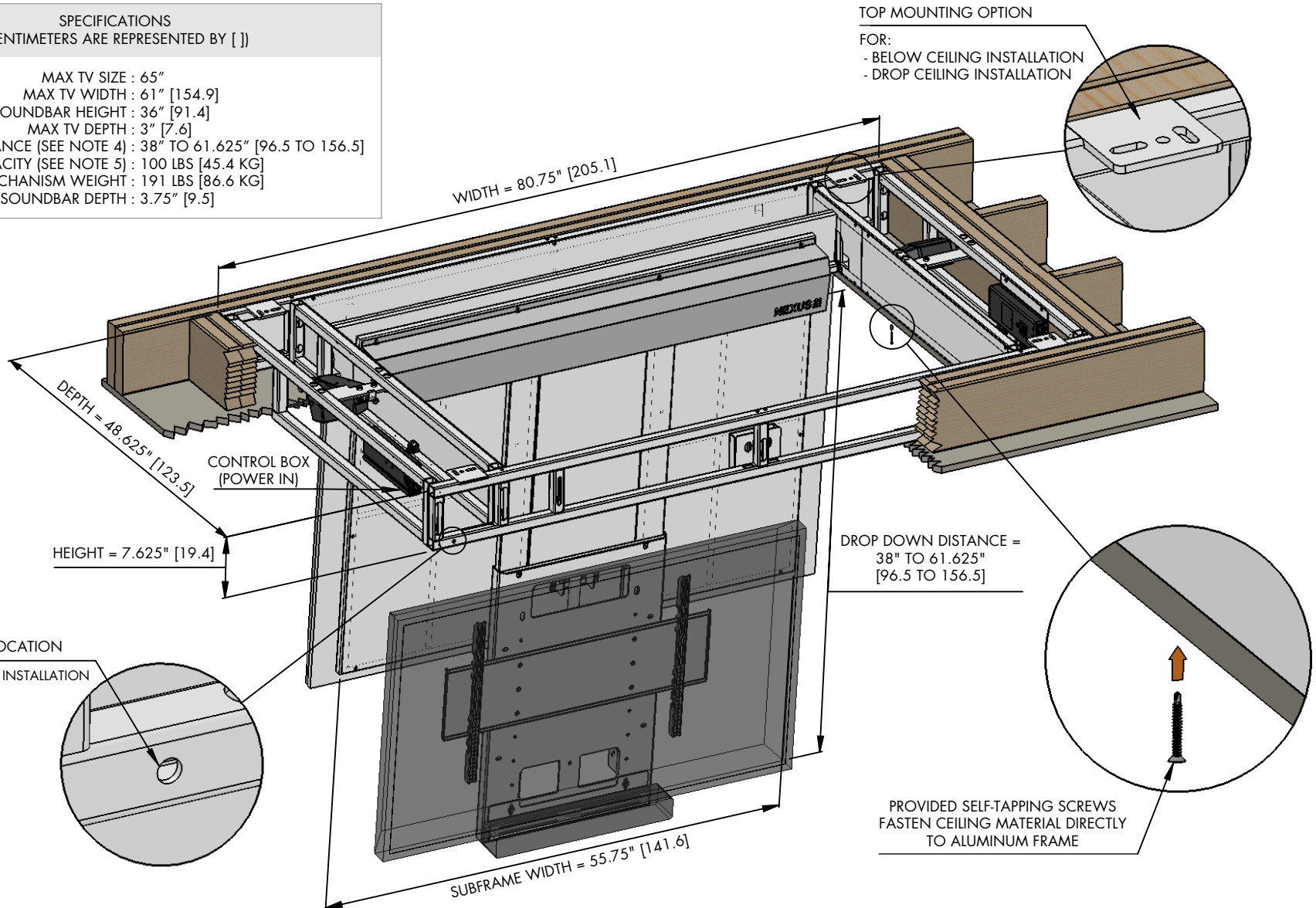


MODEL CL-65e DIAGRAM FRAMING DIMENSIONS

(SEE PAGE 2 FOR CEILING DIMENSIONS)

SPECIFICATIONS (CENTIMETERS ARE REPRESENTED BY [])

MAX TV SIZE : 65"
 MAX TV WIDTH : 61" [154.9]
 MAX TV + SOUNDBAR HEIGHT : 36" [91.4]
 MAX TV DEPTH : 3" [7.6]
 DROP DOWN DISTANCE (SEE NOTE 4) : 38" TO 61.625" [96.5 TO 156.5]
 MAX WEIGHT CAPACITY (SEE NOTE 5) : 100 LBS [45.4 KG]
 LIFT MECHANISM WEIGHT : 191 LBS [86.6 KG]
 MAX SOUNDBAR DEPTH : 3.75" [9.5]



NOTES:

1. NEXUS 21 REQUIRES THIS INSTALLATION BE COMPLETED BY A LICENSED CONTRACTOR AND ELECTRICIAN
2. WHEN DETERMINING TV HEIGHT, ALWAYS USE MANUFACTURER SUPPLIED "TV WITHOUT STAND" HEIGHT
3. LIFT MECHANISM IS WHITE POWDERCOATED ALUMINUM. COLORS IN DIAGRAM ARE FOR CLARITY ONLY
4. EXTENSION CAN BE LIMITED USING THE "HEIGHT LIMIT INSERT" PLUG
5. THE COMBINED WEIGHT OF TV, SOUNDBAR, FINISHING MATERIAL, AND ANY ADDITIONAL HARDWARE MUST NOT EXCEED 100LBS [45.4 KG]

NEXUS 21

COPYRIGHT 2020 - ALL RIGHTS RESERVED
UPDATED 9/25/20

MODEL CL-65e DIAGRAM CEILING DIMENSIONS

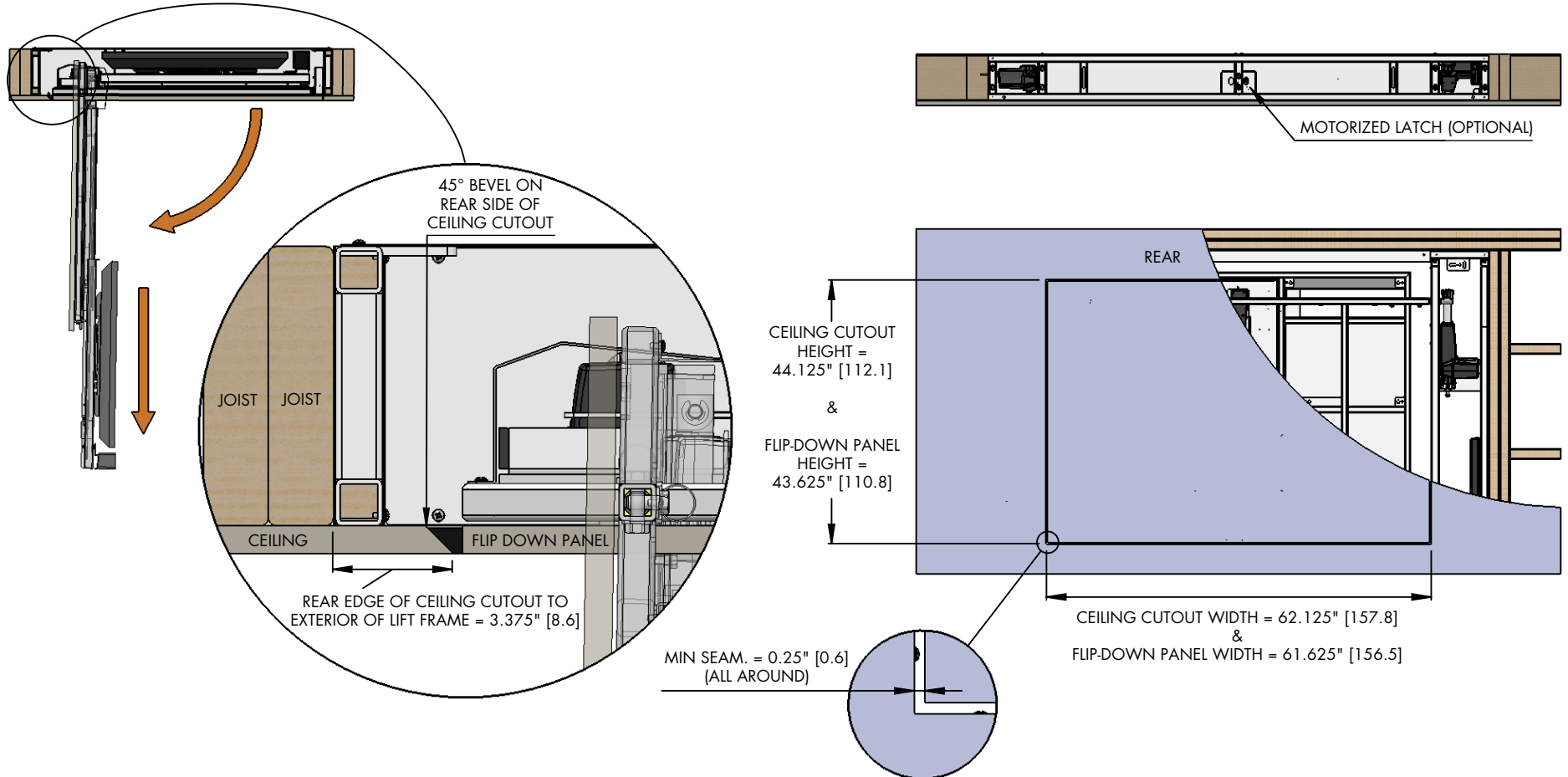
(SEE PAGE 1 FOR FRAMING DIMENSIONS)

CEILING CUTOUT DIMENSIONS

WIDTH : 62.125" [157.8]
HEIGHT : 44.125" [112.1]

FLIP-DOWN PANEL DIMENSIONS

MAX WIDTH : 61.625" [156.5]
MAX HEIGHT : 43.625" [110.8]



SUGGESTED FLIP DOWN PANEL MATERIALS: MDF ULTRALIGHT

NEXUS₂₁

COPYRIGHT 2020 - ALL RIGHTS RESERVED
UPDATED 9/25/20