

MODEL L-45ens |  SWIVEL  ENCLOSURE LIFT

FOR UP TO 60" TV

- Lift Extends 96.5 cm Upwards
- TV Maximum Screen Size: 60"
- TV Maximum Height: 87.6 cm
- Maximum Weight: 45.4 kg

Model L-45ens is perfect for situations when the backside of the television is exposed, like at the foot of the bed or in a half wall. The lift and bracket system allow you to place an enclosure around the television that will seamlessly integrate the TV into the decor of the room. The smooth manual swivel function enables you to face the TV in any direction, creating the ideal viewing angle (enclosure itself is not included).

- Near Silent Operation
- Manual Swivel with Safety Cutoff
- Remote Control Included
- Popular in Places Where the Back of the TV is Exposed

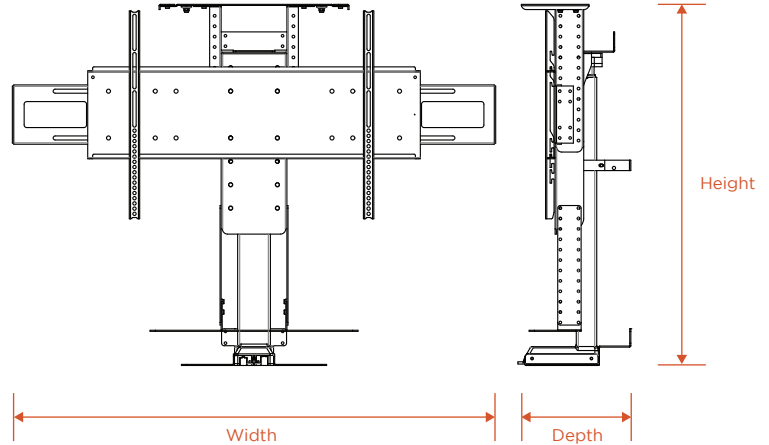


All Nexus products are shipped in custom-made protective packaging, and they include everything you need to mount and operate them. The products are designed for easy assembly and simple instructions with photos are included.

MODEL L-45ens |  SWIVEL  ENCLOSURE LIFT

TECHNICAL SPECIFICATIONS

- 45.4 kg total lift capacity
- TV maximum screen size: 60"
- 360-degree manual swivel mechanism built-in (swivel function is operated manually)
- Travels 96.5 cm
- No exposed tracks, gears or scissors
- UL recognized
- Draws 3.5 Amps @ 110V and 1.75 Amps @ 220V at max thrust
- Speed 3.8 cm / sec. (only 25 seconds to fully raise)
- Quiet - runs at just 45 dB
- Screw-driven mechanism
- Steel construction
- Your choice of RF remote or Control System Integration Kit (CSI Kit includes IR remote and contact closure interface)
- Exclusive Nexus 21 Safety Package included
- "Soft Start" and "Soft Stop" for smooth ride
- Power is Available in These Formats:
USA, 110V / Europe, 230V / Japan, 100V
Australia, 240V / UK, 230V



Height: 81.9 cm Min / 98.4 cm Max / Adjustable in 1.3 cm increments
Width: 93.3 cm Min / 138.4 cm Max
Depth: 25.4 cm from back wall to front of lift foot

WHAT'S IN THE BOX

- Motorized lift column (the motorized unit is pre-assembled and ready to use)
- Manual swivel mechanism with electronic safety switch
- Heavy duty screen support with universal TV mounting plate
- Height adjustable top supports
- Universal mounting brackets for TV enclosure (enclosure itself is not provided)
- Top plate with adjustable extensions and finger safety
- Upper and lower back mounting brackets
- Control box with power cord
- Remote control and receiver (your choice of RF or CSI Kit*)
- Backup control switch
- Cord control wrap
- All hardware for assembly and mounting
- Full assembly instructions with photos



CONTROL OPTIONS

Your choice of RF remote or Control System Integration Kit (CSI Kit*). Wired button pad included with both.



*CSI Kit includes IR remote and contact closure interface

SWIVEL VERSION

360-degree manual swivel mechanism built-in. Mounting bracket for floating lid with built-in finger safety system included.

